

# Our latest addition. Inspiring designs for New Zealand Kitchens.

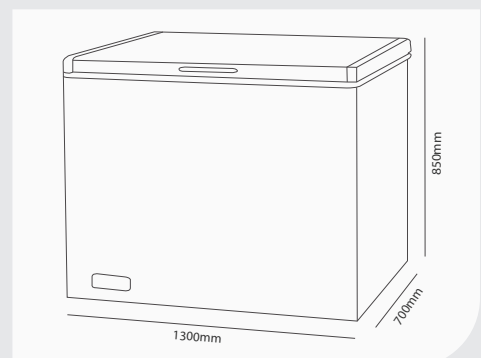
## 380L CHEST FREEZER WHITE CHF-380

- 380L White Freezer
- Electronic Temperature Control
- Waste Disposal Device
- Direct Cooling
- Wire Basket
- Rollers
- Energy Rating: 2 Star



### Impressive 7 Year Warranty

Note: 7 year warranty is for domestic use only.  
For more information visit [www.parmco.co.nz](http://www.parmco.co.nz)



### AVAILABLE NOW

Ask your local Parmco representative for pricing.

# PARMCO

Inspiring kitchens, entertaining homes